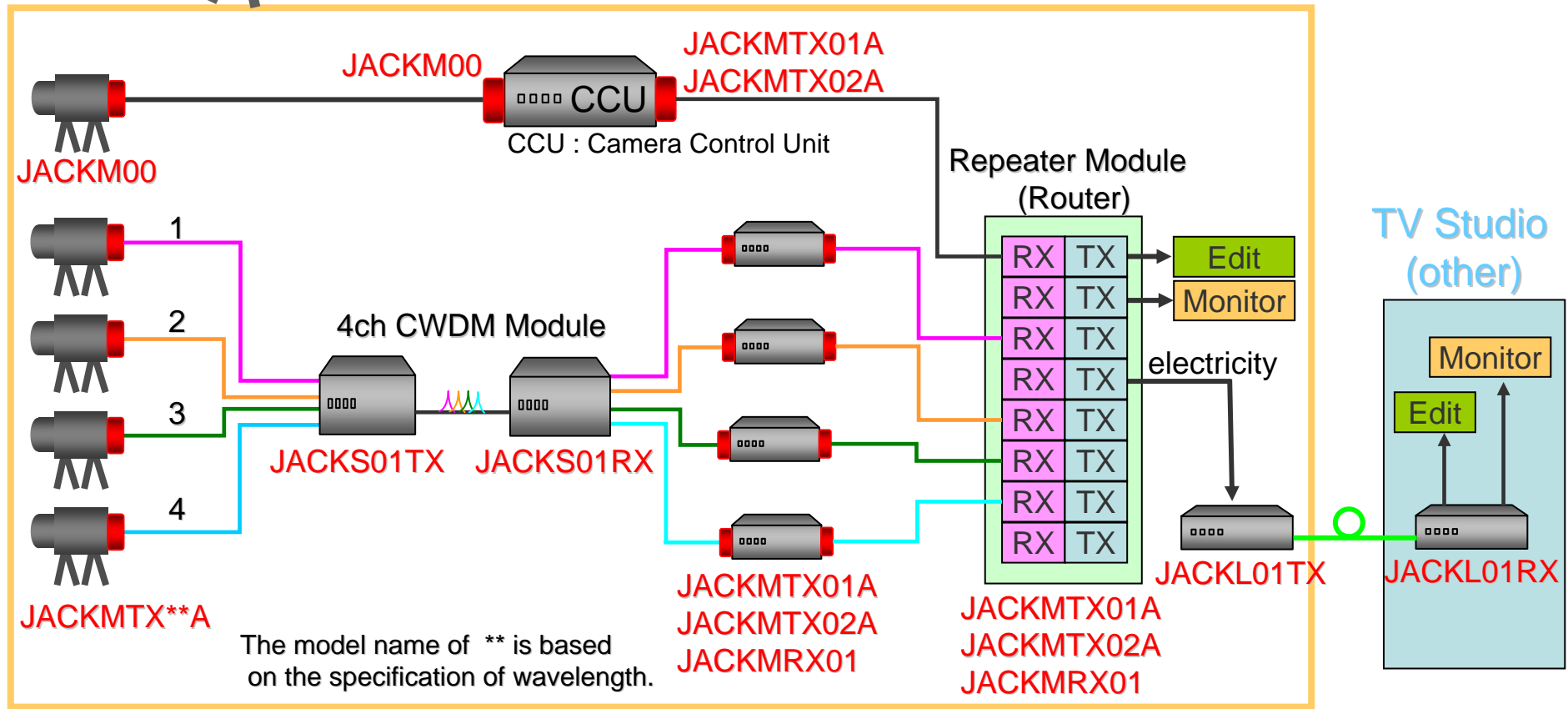
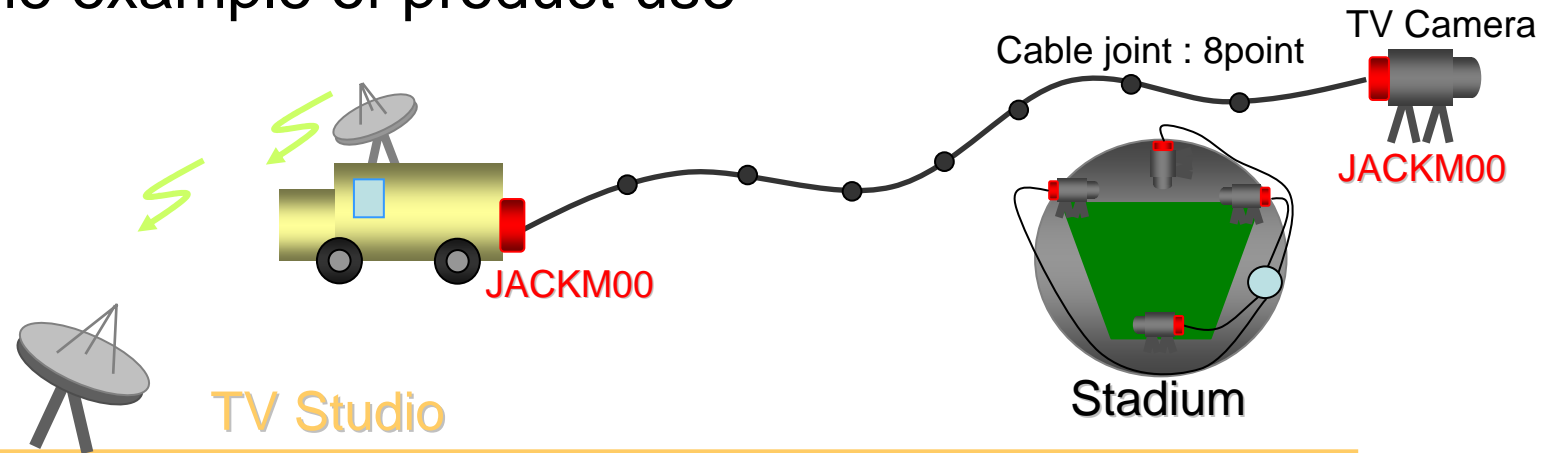


● The example of product use



The model name of ** is based on the specification of wavelength.

A red character : JACKAL product name