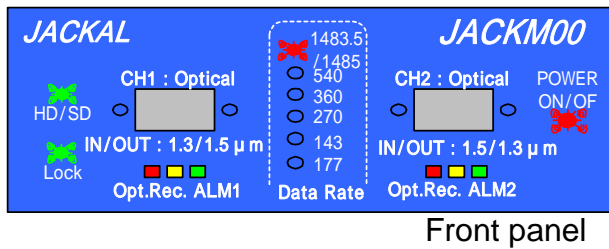
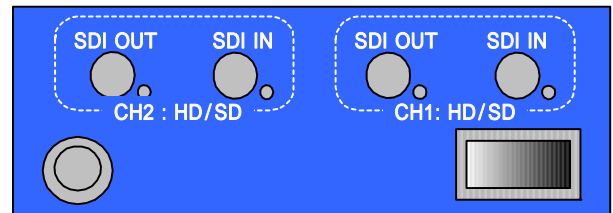


JACKM00 HD/SD Multi Format 2CH WDM Transceiver



Front panel



Rear panel

OUT LINE

JACKM00 is WDM optical transceiver module that transmits two wavelength of 1.3um/1.5um. It become possible this module transmits two different signals in multi broadcasting to one optical fiber. The transmission signal supports full HD/SD digital audio-visual standard.

FEATURE

- 1.5um FP-LD/PD x 1
- 1.3um FP-LD/PD x 1
- Input signals : HD-SDI(SMPTE292M),SDI(SMPTE259M),ARIB(BTAS-004B),DVB-ASI*(EN50083-9)
- Electrical RF Input / Output Interface : Differential AC Coupled, Zin=75ohm
- Optical Interface : SC Receptacle for single mode fiber
- Optical signal transmission distance : maximum 20km
- Power supply : DC12V
- LED monitor display
 - Input audio-visual transmission rate display
 - HD/SD signal display
 - Input optical signal level display
 - PLL Lock/Unlock display

The transmission distance of the transmission signals are 20km or less.

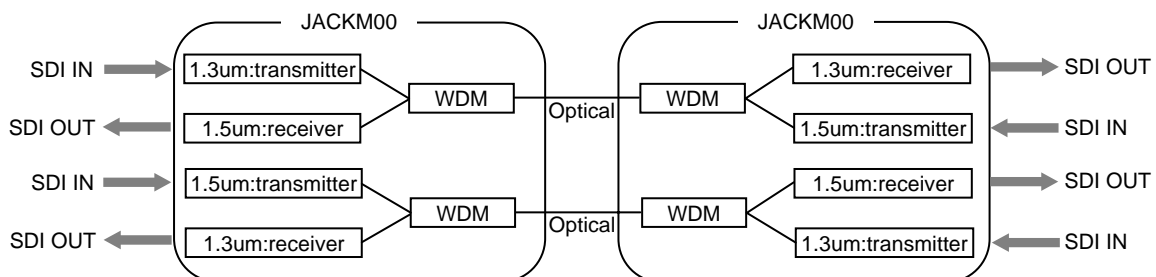
* DVB-ASI is optional.

product	data rate	supported application	wave length (nm)	Po (mW)	Tc (deg)	LD	case dimension (mm)	note
JACKM00	10M~1.5Gbps	SMPTE 292M	1310 1550	0.2	*1) -20~60	FP	170(W)X100(D)X44(H)	WDM

*1) non condensing

APPLICATION

HDTV / SDTV Serial Transmission Interface



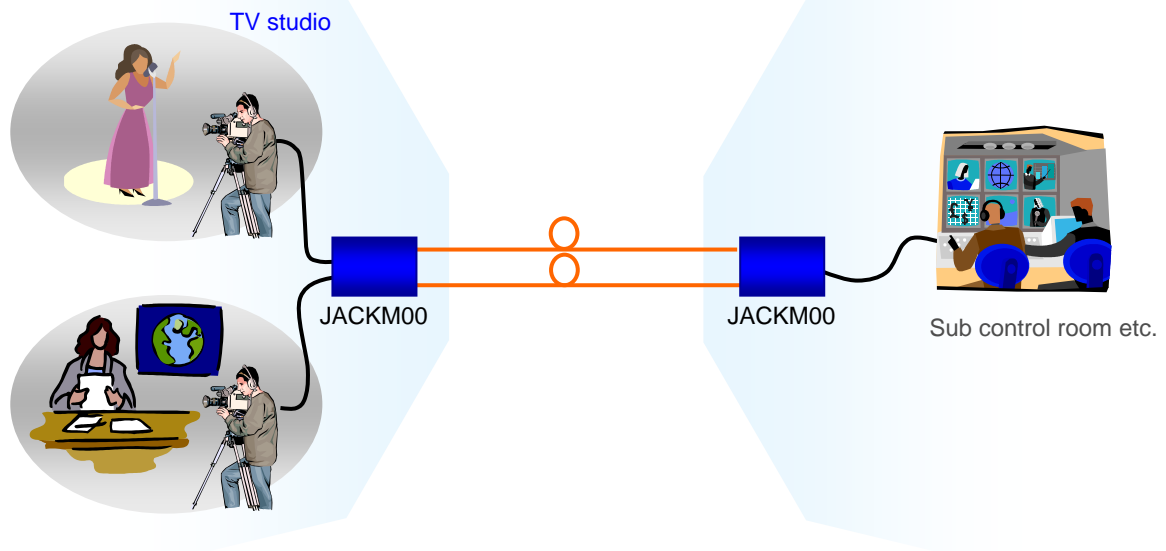
Jackal Technologies Corporation

Gosho Bldg 202, 1-10-9 Ushikubonishi, Tsuzuki-ku, Yokohama, Kanagawa 224-0015 Japan
E-mail : info@jackal-tech.co.jp URL : http://www.jackal-tech.co.jp

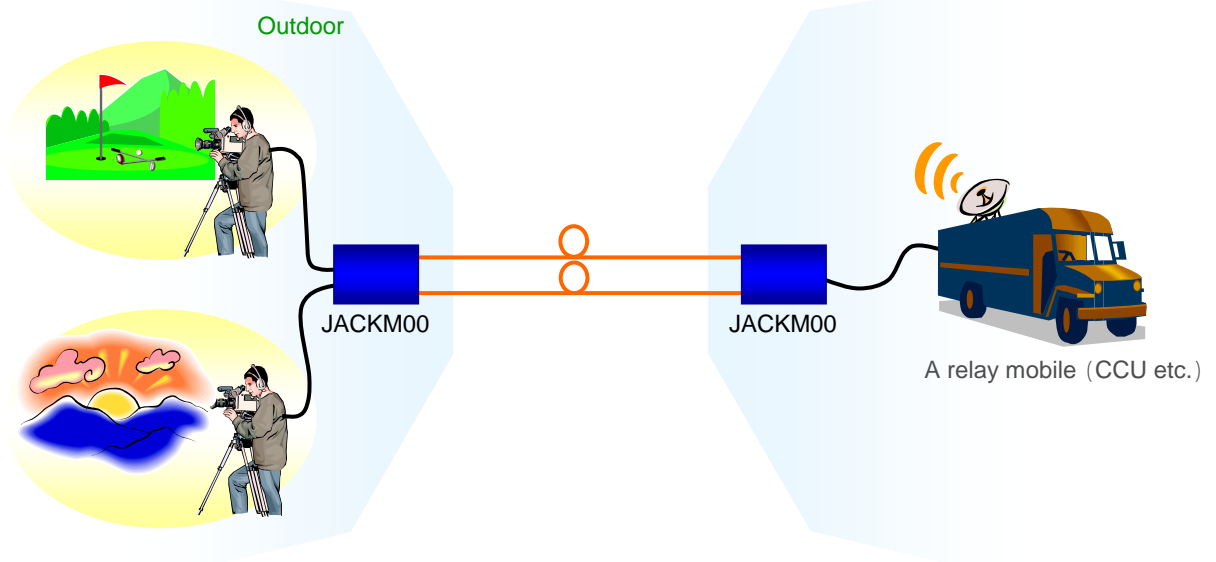
USES

Optical signal transmission equipment suitable for transmitting from TV station, event hall, on-site location and between a camera control unit (CCU) and a camera head.

Telecasting from TV studio



Telecasting from on-site location



Jackal Technologies Corporation

Gosho Bldg 202, 1-10-9 Ushikubonishi, Tsuzuki-ku, Yokohama, Kanagawa 224-0015 Japan
E-mail : info@jackal-tech.co.jp URL : <http://www.jackal-tech.co.jp>